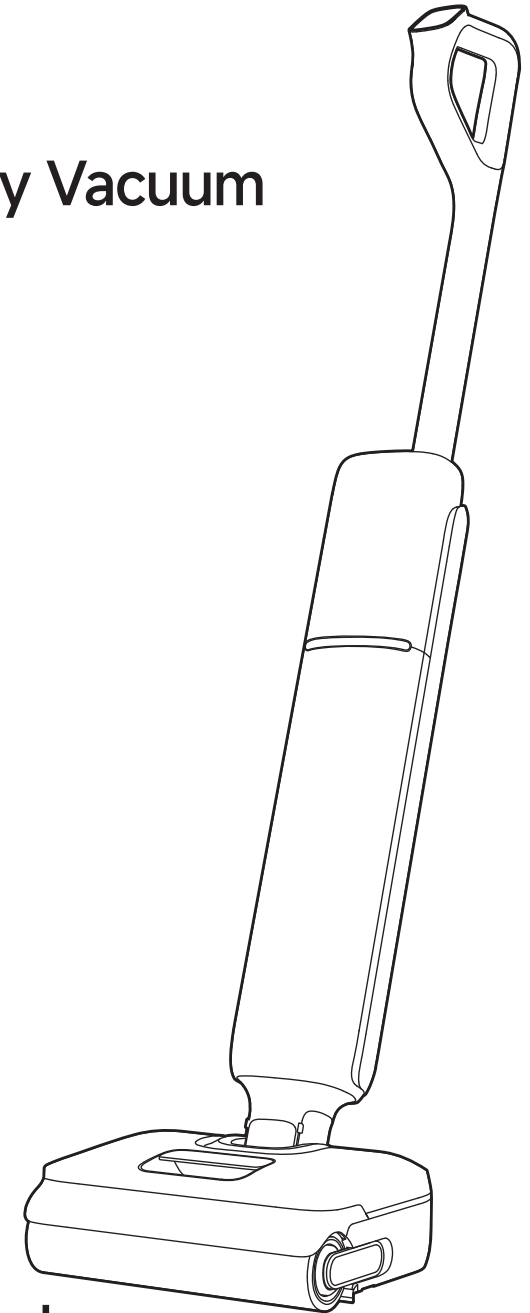


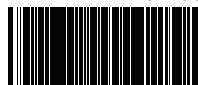
# G12

## Wet and Dry Vacuum



Website: <https://global.dreametech.com>  
Manufactured by: Huiyun Technology (Suzhou) Co., Ltd.  
Made in China

RU-A00



## User Manual

The illustrations in this manual are for reference only. Please refer to the actual product.

**DREAME**

# THANK YOU

## FOR PURCHASING THIS DREAME WET AND DRY VACUUM

---

The high-quality product is engineered for optimal performance.

If you have any questions on the product,  
please contact us: <https://global.dreame.tech.com/pages/contact-us>

---

## Contents

<b>EN</b> User Manual	01
<b>RU</b> Руководство пользователя	15



Please scan the QR code for the User Manual.

# Important Safety Instructions

To avoid electric shock, fire or injury caused by improper use of the appliance, please read the user manual carefully before using the appliance and keep it for future reference.

## Usage Restrictions

- This appliance is not intended for use by persons (including children) with reduced physical, sensory or mental capabilities, or lack of experience and knowledge, unless they have been given supervision or instruction concerning the use of the appliance by a person responsible for their safety. Children should be supervised to ensure that they do not play with the appliance.
- The appliance is only to be used with the power supply unit provided with the appliance.
- The adapter must be removed from the socket-outlet before cleaning or maintaining the appliance. And ensure the appliance is turned off to prevent injury from the rotating brush.
- If the appliance will not be used for an extended period, unplug the appliance and store it in a dry, dust-free, and insect-proof environment.
- Do not operate the appliance without all accessories properly installed.
- Do not install, charge or use the appliance in the bathrooms or around the pools.
- Only clean water and the officially-approved cleaning solution can be added to the clean water tank. Do not add any other liquid such as alcohol or disinfectant. The ratio of the cleaning solution to clean water can be checked on the cleaning solution bottle. Keep the cleaning solution out of reach of children.
- Plastic film can be dangerous. To avoid the danger of suffocation, keep it away from children. Children shall not play with the appliance.
- Use indoors only, on non-carpeted floor surfaces such as vinyl, tile, sealed wood, etc. Be careful not to run over loose objects or the edges of area rugs. Stalling the brush may result in premature belt failure.
- Use only as described in this user guide. Use only manufacturer's recommended attachments.
- Do not expose the appliance to fire or excessive temperature. Exposure to fire or excessive temperature may cause an explosion.
- Do not use in extremely hot or cold environments (below 5°C/41°F or above 40°C/104°F). Please charge the appliance in temperature above 5°C/41°F and below 40°C/104°F.
- Do not immerse the appliance in liquid.
- Do not use to pick up flammable or combustible liquids, such as gasoline. Do not use in areas where flammable or combustible liquids may be present.
- Do not put any object into openings. Do not use the appliance when any opening is blocked. Keep free of dust, lint, hair, and anything that may inhibit air flow.
- Do not pick up toxic material (chlorine bleach, ammonia, drain cleaner, etc.). Do not pick up hard or sharp objects such as glass, nails, screws, coins, etc.
- Do not use the appliance in an enclosed space filled with vapor given off by oil-based paint, paint thinner, some moth-proofing substances, flammable dust, or other explosive or toxic vapour. Do not pick up anything that is burning or smoking, such as cigarettes, matches or hot ashes.
- Do not use the appliance without filters in place.

# Important Safety Instructions



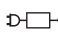

- Keep hair, loose clothing, fingers, and all parts of the body away from openings and moving parts of the appliance and its accessories.
- Keep ground cables away from the appliance when using it. A hazard may occur if the appliance runs over a supply cord.
- Use extra care when cleaning on stairs.
- Prevent unintentional starting. Ensure the switch is in the OFF-position before picking up or carrying the appliance. Carrying the appliance with your finger on the switch or turning on the appliance may result in an accident.
- Ensure that the appliance is placed on a horizontal surface. Do not use the appliance at the same position if the appliance is equipped with a brush roller and the handle is not completely upright. Do not store the appliance in a place where it may freeze.
- Do not use an appliance that is damaged or modified. A damaged or modified appliance may exhibit unpredictable behavior resulting in fire, explosion, or risk of injury.
- Do not modify or attempt to repair the appliance except as indicated in the instructions for use and care.
- Do not use the appliance with a damaged attachment. If the appliance or attachment has been dropped, damaged, left outdoors, dropped into water, or is not working as it should, never attempt to operate it. Please have it repaired at an authorized service center.
- Have servicing performed by a qualified repair person using only identical replacement parts. This will ensure that the safety of the appliance is maintained.

## Battery and Charging

- For the purpose of recharging the appliance, only use the charging base provided with this appliance. Use only with <XHD024-260090EUV> / <YLS0251B-E260090> adapter.
- Follow all charging instructions and do not charge the appliance outside of the temperature range specified in the battery as doing so increases the risk of fire.
- Keep ground cables away from the appliance when using it, because a hazard may occur if the appliance runs over a supply cord.
- Do not pull or carry adapter by cable, use cable as a handle, close door on cable, or pull cable around sharp edges or corners.
- This appliance contains batteries that can only be replaced by qualified technicians or after-sales service.
- The lithium-ion battery pack contains substances that are hazardous to the environment. Before disposing of the appliance, please first remove the battery pack, then discard, or recycle it in accordance with local laws and regulations of the country or region it is used in.
- The appliance must be disconnected from the power supply when removing the battery. Keep batteries out of the reach of children. Never put batteries in mouth. If swallowed, contact your physician or local poison control.
- Under abusive conditions, never contact the battery from which the liquid may be ejected. If contact accidentally occurs, rinse with water. If liquid contacts eyes, seek medical help immediately. Liquid ejected from the battery may cause irritation or burns.

# Important Safety Instructions

## Symbols

-  For indoor use only
-  Read operator's manual
-  Detachable supply unit
-  WEEE Information

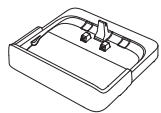
For detailed e-manual, please go to  
<https://global.dreameotech.com/pages/user-manuals-and-faqs>

# Product Overview

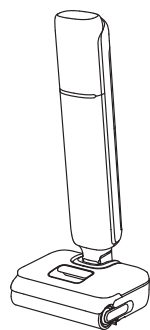
## Packing List



Handle



Charging Base



Main Body



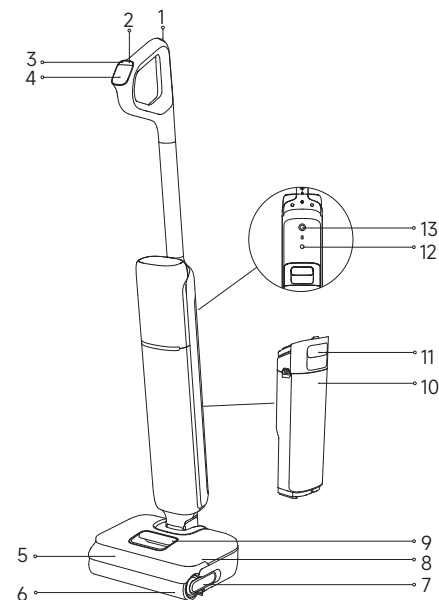
Power Adapter


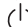



Cleaning Brush

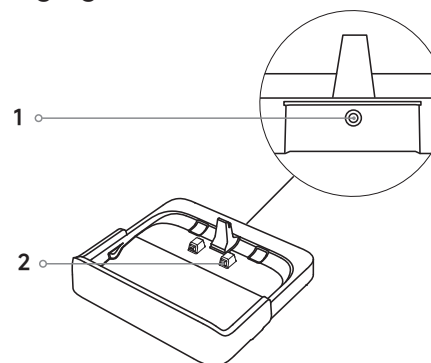
# Product Overview

## Vacuum



- |   |  |    |                         |    |                        |
|---|--|----|-------------------------|----|------------------------|
| 1 |  Self-Cleaning Button | 6  | Roller Brush            | 11 | Used Water Tank Handle |
| 2 |  Power Switch         | 7  | Roller Brush Handle     | 12 | Voice Prompt Button    |
| 3 |  Mode Switch          | 8  | Clean Water Tank        | 13 | Omnidirectional Wheel  |
| 4 | Display Screen   | 9  | Clean Water Tank Handle |    |                        |
| 5 | Roller Brush Cover   | 10 | Used Water Tank         |    |                        |

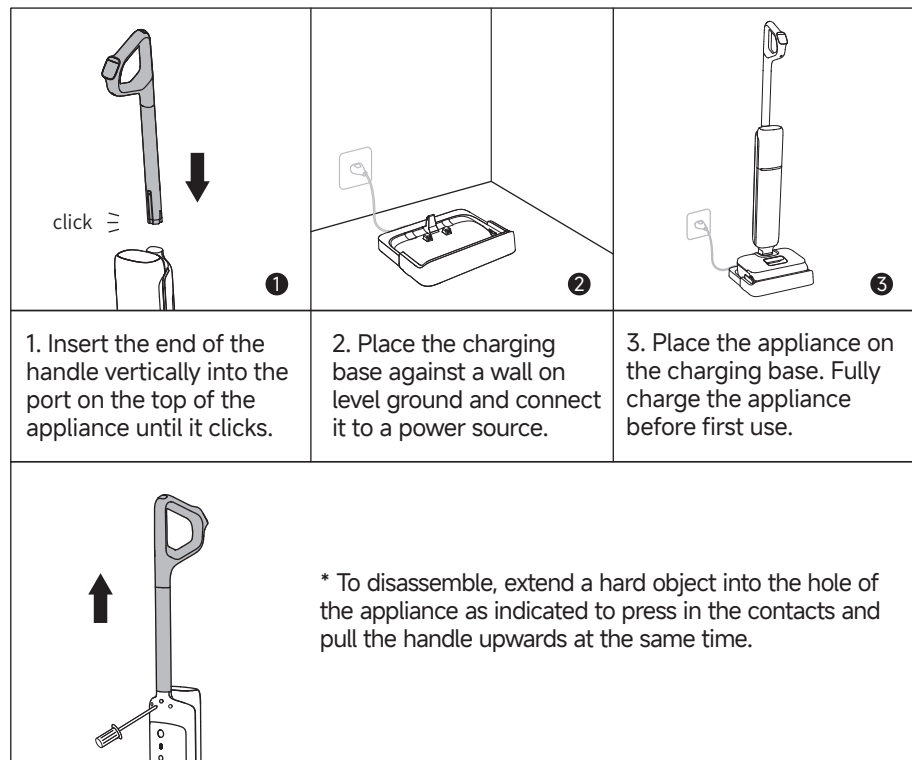
## Charging Base



1. Charging Port
2. Charging Contacts

# Installation & Charging

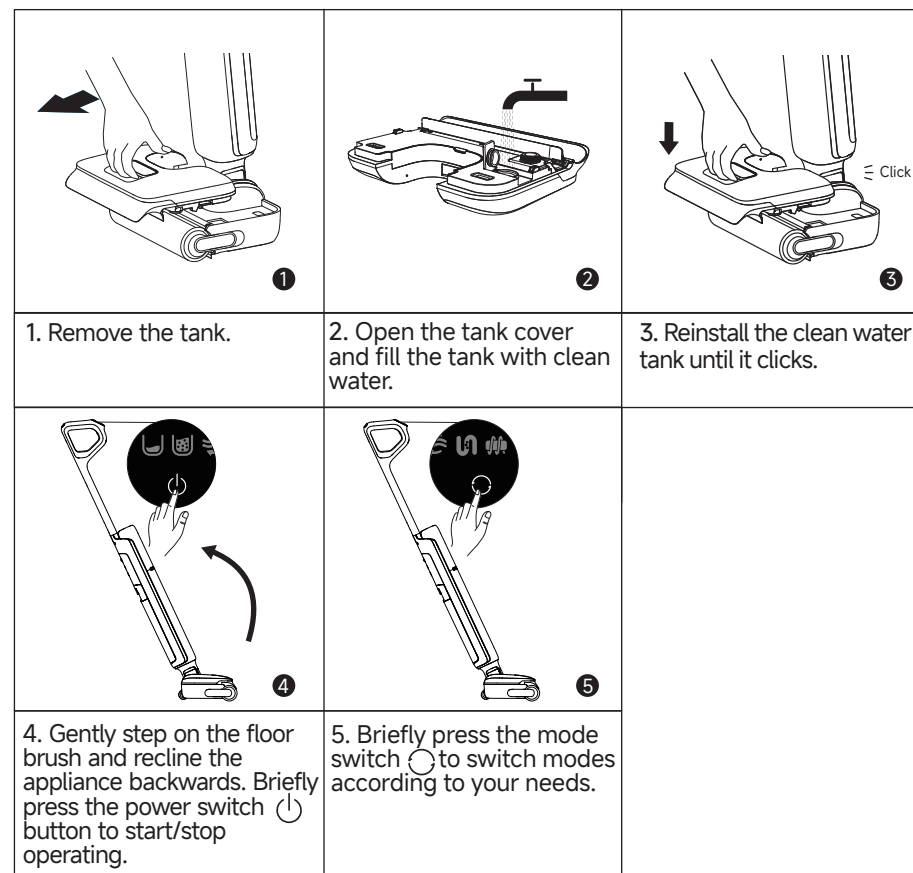
Fully charge the appliance before first use.



## Note:

- If there is no operation within 10 minutes of being fully charged, the appliance will enter sleep mode. Please restart the appliance if you need to use it.
- To extend the battery life time, the battery keeps cooling down automatically after you have used the appliance for a long time.

# Starting Cleaning

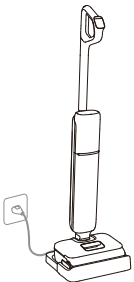
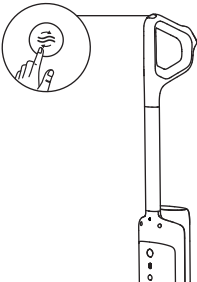
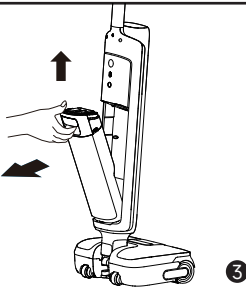



## Note:

- Do not vacuum any foamy liquids.
- The appliance is suitable for cleaning floors, marble, tiles and other hard surfaces.
- When the appliance is in operation, do not lift it off the ground, move it or tilt it. Otherwise, the used water may flow into the motor.
- Do not add any liquids other than the officially-approved cleaner. The cleaner can be available on the official online store. Refer to the cleaning solution label for specific usage instructions.
- For subsequent use, the appliance will automatically enter the last used mode upon startup.



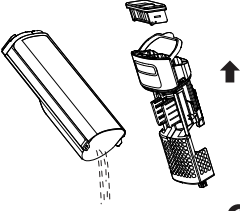

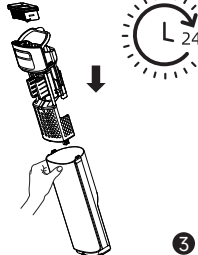
## One-Press Self-Cleaning

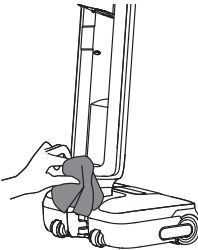
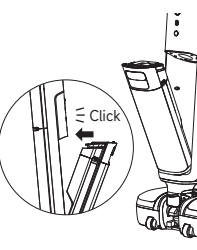
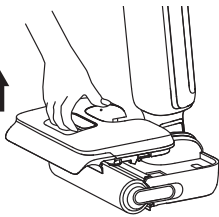
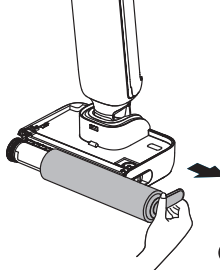

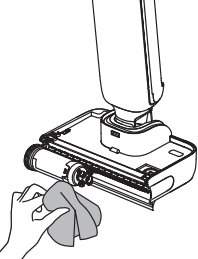
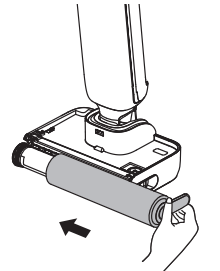
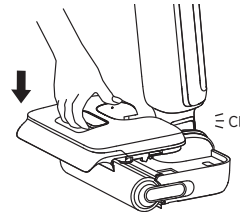
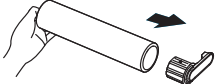
 <p>1</p>	 <p>2</p>	 <p>3</p>
<p>1. Place the appliance back onto the base. Ensure that the water in the clean water tank is sufficient for self-cleaning.</p>	<p>2. Briefly press the self-cleaning button on the top of the handle to start/stop self-cleaning (Battery level <math>\geq</math> 20%).</p>	<p>3. After self-cleaning is complete, the  will light up. Empty the used water tank promptly.</p>

## Care & Maintenance

### Tips:

- Turn off the appliance before maintenance. Do not touch the power switch.
- Replace parts if needed. The parts must be replaced by those available from the manufacturer or its service agent.
- If the appliance is not used for an extended period, fully charge it, unplug the power plug, and store the appliance in a cool, low-humidity environment away from direct sunlight. To avoid over-discharge of the battery, charge the appliance at least once every 3 months.

 <p>1</p>	 <p>2</p>	 <p>3</p>
<p>1. Pour dirty water out, remove the filter, and rinse the tank and tank cover with clean water.</p>	<p>2. Gently knock off the floating dust on the filter surface. When the filter is dirty and needs washing, rinse it with water.</p>	<p>3. After fully drying the filter, reinstall it into the used water tank cover. Insert used water tank cover into the tank.</p>

 <p>4</p>	 <p>5</p>	 <p>6</p>
<p>4. Gently wipe the tube with a wet cloth before use. Do not rinse the tube.</p>	<p>5. Insert bottom of tank into main body. Tilt tank towards main body until it clicks.</p>	<p>6. Remove the clean water tank.</p>
 <p>7</p>	 <p>8</p>	 <p>9</p>
<p>7. Pull out the brush handle and remove the brush.</p>	<p>8. Remove hair or debris tangled on the roller brush with the provided cleaning brush. Rinse the roller brush with clean water.</p>	<p>9. Wipe the suction inlet with a dry cloth or wet tissue. Do not rinse the brush assembly with water.</p>
 <p>10</p>	 <p>11</p>	 <p>11</p>
<p>10. After fully drying the roller brush, hold the roller brush handle and reinstall it.</p>	<p>11. Reinstall the clean water tank until you hear a click.</p>	<p>* Remove the roller brush handle to replace it with a new roller brush, and press it firmly into place.</p>

### Note:

- Replacing the filter every 3 to 6 months is recommended.
- Clean as needed. Replacing the roller brush every 3 to 6 months is recommended.

## Troubleshooting

If an error occurs, the appliance will stop working. Please refer to the following table for troubleshooting. If the problem persists, please contact customer service.

Error	Possible Cause	Solution
The appliance does not work.	The appliance is out of battery or its battery level is low.	Fully charge its battery before use.
	The appliance is in the upright position.	Recline the appliance backwards.
	Blockage activated overheat protection mode.	Clear the blockage and wait until the temperature returns normal.
	The Used Water Tank is full.	Empty the Used Water Tank.
	The handle, roller brush, or Used Water Tank is not properly installed.	Ensure the handle, roller brush, or Used Water Tank are all properly in place.
The appliance charges slowly.	The temperature of the battery is too low or too high.	Wait until the battery's temperature returns normal.
The suction power of the appliance is weak.	The filter is clogged.	Cleaning the filter.
	The suction inlet or tube is blocked by a foreign object.	Clean the tube and the suction inlet.
The motor is making a strange noise.	There is too much used water in the Used Water Tank.	Empty the Used Water Tank.
	The suction inlet is blocked.	Clear any blockage in the suction inlet.
The display screen does not light up while charging.	The charging base cable is not plugged into the electrical outlet.	Make sure the charging base cable is plugged in.
	The appliance is not placed onto the charging base properly.	Make sure the appliance is placed onto the charging base properly.
No water is coming out of the appliance.	The Clean Water Tank is not properly installed in place, or the water in the Clean Water Tank is insufficient.	Reinstall or fill the Clean Water Tank.
	It takes 30 seconds to dampen the roller brush.	Turn on the appliance and check again in 30 seconds.







## Troubleshooting

The vent leaks water.	A collision or a sharp pull causes water to enter the motor.	Move the appliance gently back and forth while it is turned on.
	The filter is not completely dry after being cleaned.	Dry the filter completely before use.
Self-cleaning fails.	The roller brush may be jammed by large debris.	Open the roller brush cover to check and clean the roller brush.
	The appliance is not placed onto the charging base properly.	Make sure the appliance is being charged before self-cleaning.
	Self-cleaning cannot be enabled if the battery level is lower than 20%.	The self-cleaning function can only be enabled when the appliance is being charged and the battery level is more than 20%.
	The Used Water Tank is not installed in place, or the Used Water Tank is full.	Reinstall or empty the Used Water Tank.
	The Clean Water Tank is not installed in place, or the water in the Clean Water Tank is insufficient.	Reinstall or fill the Clean Water Tank.

For additional services, please contact us via <https://global.dreametech.com/pages/contact-us>  
Website: <https://global.dreametech.com>

## Error Prompts and Solutions

If the appliance is not working properly, the screen display will show an error message. Please refer to the troubleshooting table to find your solution.

Error Icon	Possible Cause	Solution
	Insufficient water.	Fill the clean water tank.
	The Used Water Tank is full.	Please clean the used water tank.
	Roller brush stuck.	Clean the roller brush.
	Blocked tube.	Refer to the Care & Maintenance section to clean the tube and dirt sensor.
	The brush roller and tube are dirty.	Place the appliance back onto the base for self-cleaning.
	Appliance malfunction	Restart the appliance for troubleshooting. If the problem persists, please contact customer service.



## Specifications

Wet and Dry Vacuum Floor Washer			
Model	HHR32A	Charging Time	≤ 4 hours
Rated Voltage	21.6 V ===	Rated Power	315 W
Clean Water Tank Capacity	1000 mL	Used Water Tank Capacity	500 mL
Power Adapter 1			
Model	XHD024-260090EUV		
Rated Input	100-240 V ~ 50/60 Hz 0.8 A	Rated Output	26.0 V === 0.9 A
Power Adapter 2			
Model	YLS0251B-E260090		
Rated Input	100-240 V ~ 50/60 Hz 0.8 A Max	Rated Output	26.0 V === 0.9 A

## Battery Disposal and Removal

The built-in lithium-ion battery contains substances that are hazardous to the environment. Before disposing of the battery, make sure the battery is removed by qualified technicians and discarded at an appropriate recycling facility.

- the battery must be removed from the appliance before it is scrapped;
- the appliance must be disconnected from the supply mains when removing the battery;
- the battery is to be disposed of safely.

### Removal Guide

1. Use tools to sequentially disassemble the main unit of the appliance and the power source components.
2. Disconnect the terminal connecting the battery to the mainboard.
3. Use tools to sequentially remove the screws securing the battery bracket, then pry open the bracket with a tool and remove the battery.
4. Disassembly should be performed by the manufacturer, an authorized service provider, or qualified professionals.

### CAUTION:

- Before removing the battery, disconnect the power and run out the battery as much as possible.
- Unneeded batteries should be discarded at an appropriate recycling facility.
- Do not expose to high temperature environment to avoid risks of explosion.
- Under abusive conditions, liquid may be ejected from the battery. If contact occurs, flush with water and seek medical help.

### Warranty

1. Dreame is liable to the consumer for any lack of conformity in material or workmanship not detectable at the time of the purchase.
2. Warranty period: please refer to the customer service office for more information. If the territory where the consumer is located has different regulations, local regulations prevail.
3. The warranty will not be applicable in the following cases:
  - a) Issues due to carelessness, use, or installation that does not comply with the instructions provided by Dreame.
  - b) Tampering and/or modifications of the product by entities or individuals not expressly authorized by Dreame.
  - c) Damage due to accidental causes and/or negligence on the part of the consumer, with particular reference to external parts.
  - d) Parts subject to wear that do not have manufacturing defects.
  - e) No valid purchasing document (receipt, invoice, or other) is provided to certify the date the product was purchased.
  - f) The model and/or numbers of the product on the purchase certificate is not consistent with the model and/or numbers shown on the product.
4. For more warranty information, please refer to the official Dreame website: <https://global.dreametech.com>



#### WEEE Information

All products bearing this symbol are waste electrical and electronic equipment (WEEE as in directive 2012/19/EU) which should not be mixed with unsorted household waste. Instead, you should protect human health and the environment by handing over your waste equipment to a designated collection point for the recycling of waste electrical and electronic equipment, appointed by the government or local authorities. Correct disposal and recycling will help prevent potential negative consequences to the environment and human health. Please contact the installer or local authorities for more information about the location as well as terms and conditions of such collection points.

## Важные меры предосторожности

Во избежание поражения электрическим током, возгорания или травм, вызванных некорректным использованием устройства, перед началом работы внимательно прочтите руководство пользователя и сохраните его для дальнейшего использования.

### Ограничения по использованию

- Это устройство не предназначено для использования детьми и лицами с ограниченными физическими, сенсорными или умственными способностями, а также с недостатком опыта и знаний, за исключением случаев, когда они находятся под присмотром лица, ответственного за их безопасность, или проинструктированы им относительно использования устройства. Следите за тем, чтобы дети не играли с устройством.
- Используйте устройство только с адаптером питания из комплекта поставки.
- Отсоедините адаптер питания от розетки перед очисткой и техническим обслуживанием устройства. Убедитесь, что устройство выключено, чтобы предотвратить травмирование при вращении щетки.
- Прежде чем прекратить использование данного устройства на длительное время, отсоедините его от электросети и поместите на хранение в сухое, защищенное от пыли и насекомых место.
- Не используйте устройство, если не все аксессуары установлены правильно.
- Запрещается устанавливать, заряжать и использовать устройство в ванных комнатах или около бассейнов.
- В резервуар для чистой воды разрешается добавлять только чистую воду и рекомендованный чистящий раствор. Не добавляйте никакие другие жидкости, например спирт или дезинфицирующее средство. Соотношение чистящего раствора и чистой воды указано на этикетке флакона с чистящим раствором. Храните чистящий раствор в недоступном для детей месте.
- Пластиковый защитный материал может быть опасен. Не храните его рядом с детьми во избежание удушья. Дети не должны играть с устройством.
- Используйте устройство только в помещении и на таких нековровых поверхностях, как ПВХ, плитка, ламинат и др. Пылесос не должен перемещаться по незакрепленным предметам либо вдоль краев ковров. Заклинивание щетки может привести к повреждению ремня раньше срока.
- Используйте устройство только согласно инструкциям, приведенным в данном руководстве по эксплуатации. Используйте только принадлежности, рекомендованные производителем.
- Запрещается подвергать устройство воздействию огня либо высокой температуры. При контакте с огнем или при высокой температуре может произойти взрыв.
- Не используйте устройство в экстремально жарких или холодных условиях (при температуре ниже 5 °C / 41 °F или выше 40 °C / 104 °F). Заряжайте устройство при температуре выше 5 °C / 41 °F и ниже 40 °C / 104 °F.
- Запрещается погружать устройство в жидкость.
- Запрещается использовать устройство для уборки легковоспламеняющихся или горючих жидкостей, например бензина. Запрещается использовать устройство в местах, где могут присутствовать вышеуказанные жидкости.
- Запрещается вставлять предметы в отверстия. Запрещается использовать устройство в случае засорения какого-либо из его отверстий. Удаляйте пыль, ворсинки, волосы и все, что может препятствовать потоку воздуха через отверстия.
- Не используйте пылесос для уборки токсичных веществ (отбеливателя, аммиака, очистителя водосточных труб и т. п.). Запрещается собирать с помощью пылесоса стекло, гвозди, болты, монеты и т. п.
- Запрещается использовать устройство в замкнутых пространствах, заполненных воспламеняющейся пылью, испарениями от масляной краски, разбавителя, средства от моли или другими взрывоопасными или токсичными парами. Запрещается собирать горящие либо дымящиеся предметы, например сигареты, спички либо пепел.

## Важные меры предосторожности



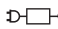

- Запрещается использовать устройство без установленных фильтров.
- Держите волосы, свободную одежду, пальцы и другие части тела на расстоянии от отверстий и движущихся деталей устройства и его принадлежностей.
- Во время использования устройства уберите все кабели питания с пола. так как в случае наезда на них может возникнуть опасность.
- Будьте предельно осторожны во время очистки лестницы.
- Не допускайте непреднамеренных запусков. Перед тем, как поднимать либо переносить устройство, убедитесь, что выключатель находится в положении ВЫКЛ. Перенос устройства с пальцем на выключателе либо во включенном состоянии может привести к несчастным случаям.
- Убедитесь, что устройство размещено на горизонтальной поверхности. Запрещается использовать устройство в аналогичной позиции, если оно оснащено щеточным роликом, а ручка находится не в полностью вертикальном положении. Запрещается хранить устройство в месте, где возможно его замораживание.
- Запрещается использовать поврежденное или модифицированное устройство. Поврежденные или модифицированные устройства могут вести себя непредсказуемо и вызвать возгорание, взрыв либо риск получения травм.
- Запрещается модифицировать либо чинить устройство способами, отличными от указанных в руководстве по эксплуатации и уходу.
- Запрещается использовать устройство с поврежденными деталями. Если устройство или какой-либо из его компонентов падали, были повреждены, оставлены вне помещения под атмосферными осадками, погружались в воду или не работают должным образом, ни в коем случае не используйте его. Необходимо обратиться в уполномоченный сервисный центр для их ремонта.
- Выполняйте техническое обслуживание только с помощью квалифицированного персонала и используйте только идентичные детали для замены. Это позволит гарантировать безопасность устройства.

### Аккумулятор и зарядка

- Для подзарядки устройства используйте только зарядную станцию, поставляемую в комплекте с устройством. Используйте только адаптер <XHD024-260090EUV>/<YLS0251B-E260090>.
- Следуйте инструкциям по зарядке и не заряжайте устройство в среде с температурой выше указанной на аккумуляторе, так как это повышает риск возгорания.
- Во время использования устройства уберите все кабели питания с пола, так как в случае наезда на них может возникнуть опасность.
- Не тяните и не переносите адаптер за кабель, не используйте кабель в качестве ручки для переноса, не закрывайте дверь с зажатым под ней кабелем и не протягивайте кабель вокруг острых кромок или углов.
- Данное устройство оснащено аккумулятором, замену которого должны выполнять только квалифицированные технические специалисты или представители отдела послепродажного обслуживания.
- В литий-ионном аккумуляторном блоке содержатся опасные для окружающей среды элементы. Перед утилизацией устройства сначала извлеките аккумулятор, после чего устройство можно утилизировать или переработать в соответствии с местными законами и правилами, действующими в стране или регионе применения.
- Перед извлечением аккумулятора необходимо отключить устройство от источника питания. Храните аккумуляторы в недоступном для детей месте. Запрещается брать аккумуляторы в рот. При проглатывании обратитесь к врачу или в местный токсикологический центр.
- При повреждении аккумулятора ни в коем случае не касайтесь его, так как из него может вытечь электролит. При случайном контакте с электролитом смойте его водой. При попадании электролита в глаза немедленно обратитесь за медицинской помощью. Вытекший из аккумулятора электролит может стать причиной раздражения и ожогов.

## Важные меры предосторожности

### Символы

-  Только для использования в помещении
-  Прочитайте руководство по эксплуатации
-  Съёмный блок питания
-  Информация об утилизации и переработке отходов электрического и электронного оборудования (WEEE)

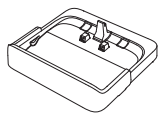
Подробное электронное руководство см. по адресу <https://global.dreametech.com/pages/user-manuals-and-faqs>

## Обзор изделия

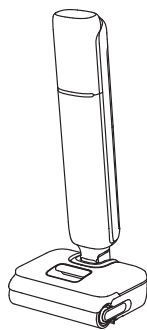
### Комплектация



Ручка



Зарядная станция



Основной корпус



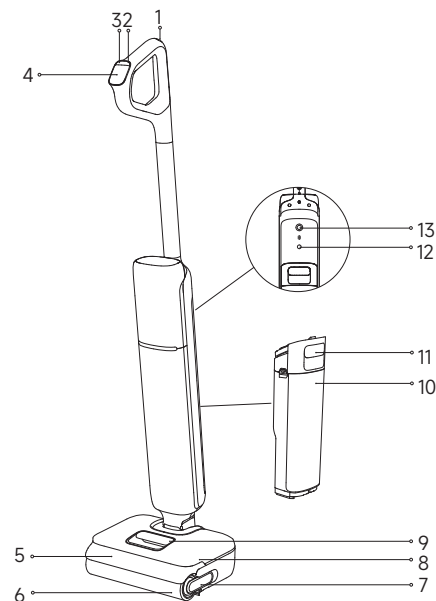
Адаптер питания






Чистящая щетка

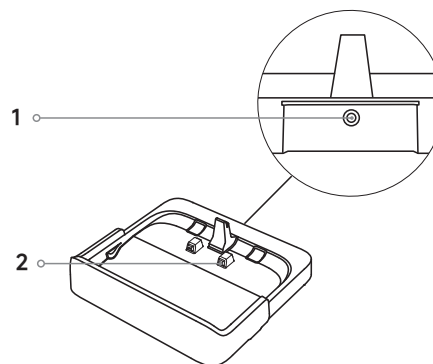
## Обзор изделия

### Пылесос



- |   |   |   |                                  |    |  |
|---|---|---|----------------------------------|----|--|
| 1 |  Кнопка автоматической очистки | 6 | Роликовая щетка                  | 10 | Резервуар для использованной воды        |
| 2 |  Выключатель питания           | 7 | Ручка роликовой щетки            | 11 | Ручка резервуара для использованной воды |
| 3 |  Переключатель режимов         | 8 | Резервуар для чистой воды        | 12 | Кнопка голосовых подсказок               |
| 4 | Дисплей   | 9 | Ручка резервуара для чистой воды | 13 | Всенаправленное колесо                   |
| 5 | Крышка роликовой щетки  |   |                                  |    |  |

### Зарядная станция



1. Разъем для зарядки
2. Зарядные контакты

## Установка и зарядка

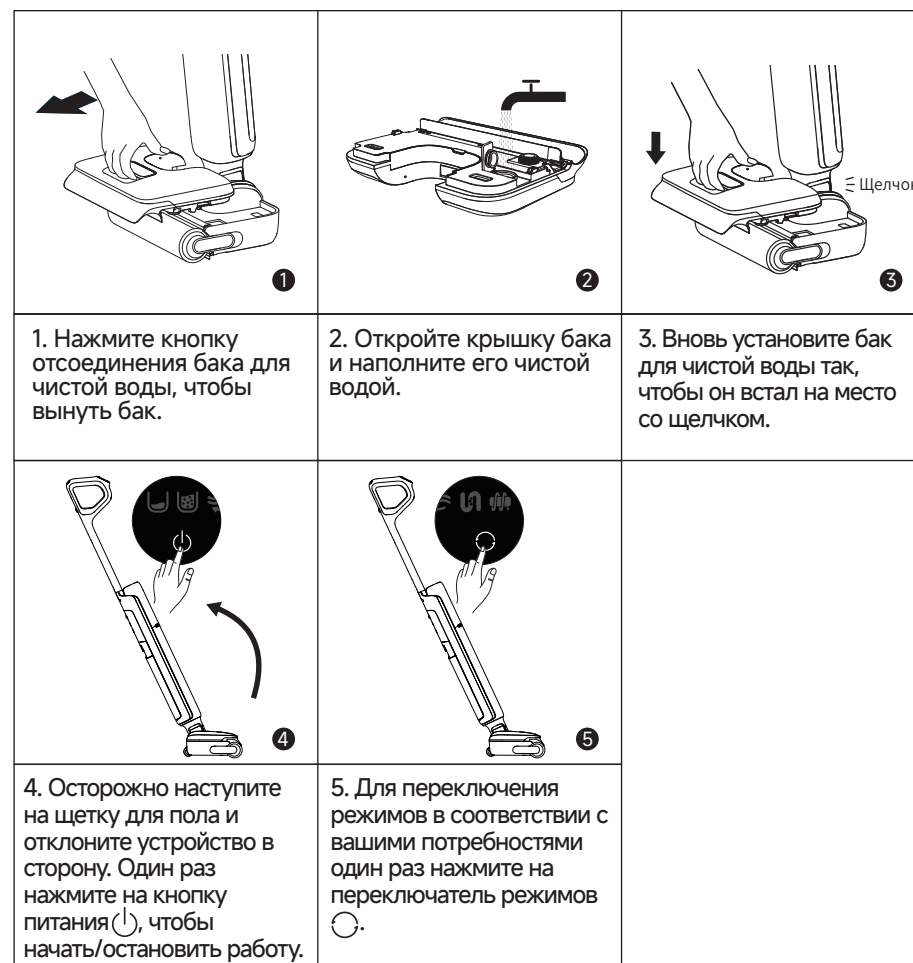
Полностью зарядите устройство перед первым использованием.



Примечание.

- Если полностью заряженное устройство не используется в течение 10 минут, оно перейдет в спящий режим. Перезапустите устройство, когда потребуется его использовать.
- Для продления срока службы аккумулятора автоматически охлаждается после длительного использования устройства.

## Начало уборки














Примечание.

- Запрещается использовать пылесос для уборки пенящихся жидкостей.
- Устройство подходит для очистки обычных полов, мрамора, кафельной плитки и других твердых поверхностей.
- Во время работы устройства запрещается поднимать, перемещать или наклонять его. В противном случае отработанная вода может попасть в электродвигатель.
- Запрещается добавлять любые жидкости, кроме официально одобренных чистящих средств. Чистящее средство можно приобрести в официальном интернет-магазине. Ознакомьтесь с инструкциями по применению, размещенными на этикетке чистящего средства.
- Во время последующих включений робот-пылесос автоматически переключится в режим, который использовался перед выключением.

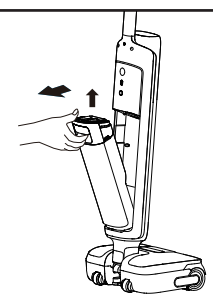
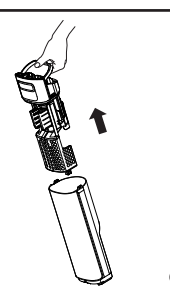
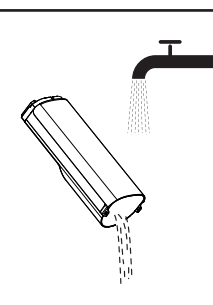
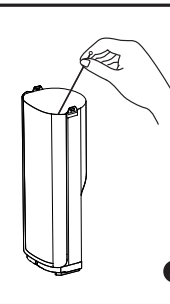
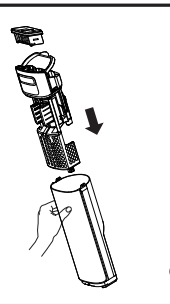
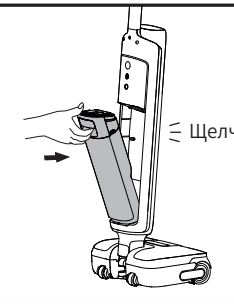
## Экран дисплея



- 
**Стандартный режим**  
 Средние значения мощности всасывания и расхода воды для ежедневной уборки.
- 
**Бесшумный режим**  
 Устройство будет поддерживать среднюю мощность всасывания при низком уровне шума.
- 
**Турборежим**  
 Максимальная мощность всасывания и увеличенный расход воды для удаления стойких загрязнений на твердых полах.
- 
**Режим всасывания**  
 Всасывает большое количество воды с пола.
- 
**Режим самоочистки**
- 
**Недостаточно воды в резервуаре для чистой воды**
- 
**Резервуар для использованной воды переполнен**
- 
**Трубка засорилась**
- 
**Роликовая щетка застряла**
- 
**Устройство неисправно**
- 
**Индикатор уровня заряда аккумулятора**
  - Светится зеленым: 50% < уровень заряда аккумулятора ≤ 100%
  - Светится красным: уровень заряда аккумулятора ≤ 20%

\*«Дышащий свет» (Зарядка)  
 \*Цвет индикатора меняется с зеленого на желтый, оранжевый и красный по мере уменьшения заряда. Если индикатор красный, зарядите аккумулятор.

## Опорожнение резервуара для отработанной воды

		
<p>1. Нажмите кнопку отсоединения бака для отработанной воды и выньте бак.</p>	<p>2. Снимите крышку бака для отработанной воды. Потяните фильтр вверх, чтобы вынуть его. Удалите мусор из фильтра.</p>	<p>3. Вылейте грязную воду и промойте бак чистой водой.</p>
		
<p>4. С помощью входящей в комплект поставки чистящей щетки очистите внутренние стенки бака.</p>	<p>5. После очистки вставьте фильтр в крышку бака для отработанной воды, а саму крышку вставьте в бак.</p>	<p>6. Затем вновь установите бак для отработанной воды так, чтобы раздался щелчок.</p>


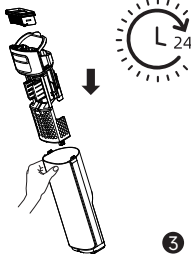
# Автоматическая очистка одним нажатием кнопки

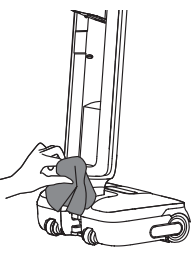
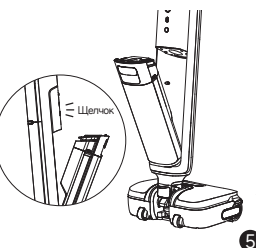
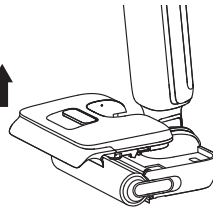
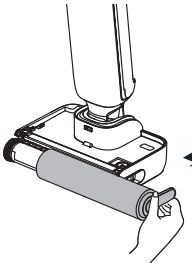

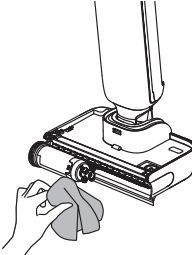
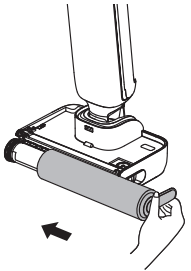
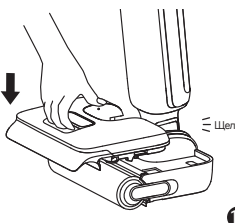
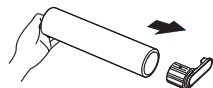
		
<p>1. Установите устройство обратно на базу для зарядки. Убедитесь, что воды в баке достаточно для самоочистки.</p>	<p>2. Один раз нажмите кнопку самоочистки в верхней части ручки, чтобы начать/остановить самоочистку (уровень заряда аккумулятора <math>\geq 20\%</math>).</p>	<p>3. После завершения самоочистки загорится значок . Своевременно опорожните бак для отработанной воды.</p>

## Уход и обслуживание

### Советы:

- Перед техническим обслуживанием выключите устройство. Не прикасайтесь к выключателю питания.
- При необходимости замените детали. Детали для замены можно приобретать только у производителя или в соответствующем сервисном центре.
- Если устройство не используется в течение длительного периода времени, полностью зарядите его, извлеките вилку из розетки и поставьте прибор на хранение в прохладном месте с низкой влажностью, вдали от прямых солнечных лучей. Во избежание чрезмерной разрядки аккумулятора заряжайте устройство не реже одного раза в 3 месяца.

		
<p>1. Вылейте грязную воду, выньте фильтр и промойте бак и крышку бака чистой водой.</p>	<p>2. Аккуратно стряхните с поверхности фильтра плавающую пыль. Если фильтр загрязнен и его необходимо очистить, промойте его водой.</p>	<p>3. После полной просушки фильтра вновь установите его в крышку бака для отработанной воды. Вставьте крышку бака для отработанной воды в бак.</p>

		
<p>4. Аккуратно вытрите трубку влажной тканью перед использованием. Не промывайте трубку.</p>	<p>5. Вставьте нижнюю часть бака в основной корпус. Наклоните бак к основному корпусу так, чтобы раздался щелчок.</p>	<p>6. Снимите резервуар для чистой воды.</p>
		
<p>7. Нажмите кнопку отсоединения роликовой щетки, чтобы выскочила ручка роликовой щетки. Поднимите ручку роликовой щетки и выньте щетку.</p>	<p>8. Удалите все волосы и мусор, запутавшиеся в роликовой щетке, с помощью чистящей щетки, входящей в комплект поставки. Промойте роликовую щетку чистой водой.</p>	<p>9. Протрите всасывающее отверстие сухой или влажной тканью. Не промывайте узел щетки водой.</p>
		
<p>10. После полной просушки роликовой щетки возьмите ее за ручку и установите щетку обратно на место.</p>	<p>11. Установите резервуар для чистой воды на место до щелчка.</p>	<p>*Снимите ручку роликовой щетки, установите новую роликовую щетку, и плотно прижмите ее на место.</p>

### Примечание.

- Рекомендуется выполнять замену фильтра через каждые 3–6 месяцев.
- Очищайте его по мере необходимости. Рекомендуется выполнять замену роликовой щетки через каждые 3–6 месяцев.

## Устранение неисправностей

В случае возникновения ошибки устройство перестанет работать. Для поиска и устранения неисправности используйте приведенную ниже таблицу. Если проблема сохранится, обратитесь в службу поддержки клиентов.

Ошибка	Возможная причина	Решение
Устройство не работает.	Устройство разрядилось или уровень заряда низкий.	Полностью зарядите аккумулятор перед использованием.
	Устройство находится в вертикальном положении.	Наклоните устройство назад.
	Из-за засора включился режим защиты от перегрева.	Удалите блокирующие предметы и подождите, пока температура вернется в норму.
	Резервуар для использованной воды переполнен.	Опорожните резервуар для использованной воды.
	Ручка, роликовая щетка или резервуар для использованной воды установлены неправильно.	Убедитесь, что ручка, роликовая щетка и резервуар для использованной воды установлены правильно в соответствующем месте.
Устройство заряжается медленно.	Температура аккумулятора слишком высокая или слишком низкая.	Подождите, пока температура аккумулятора вернется к нормальному значению.
Сила всасывания устройства слабая.	Фильтр засорился.	Очистите фильтр.
	Всасывающее отверстие или трубка заблокированы посторонним предметом.	Очистите трубку и всасывающее отверстие.
Двигатель издает странный шум.	В резервуаре для использованной воды слишком много грязной воды.	Опорожните резервуар для использованной воды
	Всасывающее отверстие засорилось.	Удалите предметы, блокирующие всасывающее отверстие.
Дисплей не светится во время зарядки.	Зарядная станция не подключена к электрической розетке.	Убедитесь, что кабель зарядной станции включен в розетку.
	Устройство некорректно установлено на зарядной станции.	Правильно установите устройство на зарядной станции.
Из устройства не появляется вода.	Резервуар для чистой воды установлен неправильно или в нем недостаточно воды.	Вновь установите или заполните резервуар для чистой воды.
	Для увлажнения роликовой щетки требуется 30 секунд.	Включите устройство и проверьте еще раз через 30 секунд.







## Устранение неисправностей

Вода вытекает из вентиляционного отверстия.	Из-за удара или резкого движения вода попала в двигатель.	Когда пылесос выключится, перемещайте его аккуратными движениями.
	После очистки фильтр был просушен не полностью.	Перед использованием тщательно просушите фильтр.
Сбой автоматической очистки.	Крупные частицы могут заблокировать роликовую щетку.	Снимите крышку роликовой щетки, чтобы проверить и очистить щетку.
	Устройство некорректно установлено на зарядной станции.	Перед включением функции автоматической очистки убедитесь, что устройство заряжается.
	Функция автоматической очистки не может быть включена, если уровень заряда аккумулятора ниже 20 %.	Функция автоматической очистки может быть включена только в режиме зарядки и при уровне заряда аккумулятора более 20 %.
	Резервуар для использованной воды установлен неправильно или переполнен.	Переустановите резервуар для использованной воды или опорожните его.
	Резервуар для чистой воды не установлен или в нем недостаточно воды.	Вновь установите или заполните резервуар для чистой воды.

Для получения дополнительных услуг свяжитесь с нами по адресу <https://global.dreametech.com/pages/contact-us>  
Веб-сайт: <https://global.dreametech.com>

## Сообщения об ошибках и их устранение

Если устройство не работает должным образом, на дисплее появится сообщение об ошибке. Для решения проблемы воспользуйтесь таблицей устранения неисправностей.

Значок ошибки	Возможная причина	Решение
	Недостаточно воды.	Заполните резервуар для чистой воды.
	Резервуар для использованной воды переполнен.	Очистите резервуар для отработанной воды.
	Роликовая щетка застряла.	Очистите роликовую щетку.
	Трубка засорилась.	См. раздел «Уход и техническое обслуживание», чтобы очистить трубку и датчик загрязнения.
	Роликовая щетка и трубка загрязнены.	Установите устройство обратно на базовую станцию для автоматической очистки.
	Устройство неисправно	Перезапустите устройство для поиска и устранения неисправности. Если проблема сохранится, обратитесь в службу поддержки клиентов.

# Технические характеристики

Пылесос для сухой и влажной уборки пола			
Модель	NHR32A	Время зарядки	≤ 4 часа
		Время работы	Уборка в течение 35 минут (в тихом режиме)
Номинальное напряжение	21,6 V ===	Номинальная мощность	315 W
Емкость резервуара для чистой воды	1000 mL	Объем резервуара для отработанной воды	500 mL
Адаптер питания 1			
Модель	XHD024-260090EUV		
Номинальные входные параметры	100–240 V ~ 50/60 Hz, 0,8 A	Номинальные выходные параметры	26 V === 0,9 A
Адаптер питания 2			
Модель	YLS0251B-E260090		
Номинальные входные параметры	100–240 V ~ 50/60 Hz, 0,8 A макс	Номинальные выходные параметры	26 V === 0,9 A

# Извлечение и утилизация аккумулятора

Встроенный литий-ионный аккумулятор содержит вещества, представляющие опасность для окружающей среды. Перед утилизацией аккумулятора в соответствующем пункте переработки его должен извлечь из устройства квалифицированный специалист.

- перед утилизацией аккумулятор необходимо извлечь из устройства;
- перед извлечением аккумулятора необходимо отключить устройство от источника питания;
- аккумулятор необходимо утилизировать безопасным способом.

## Инструкция по извлечению

1. С помощью инструментов последовательно разберите основной блок прибора и компоненты источника питания.
2. Отсоедините клемму, соединяющую аккумулятор с материнской платой.
3. С помощью инструмента последовательно открутите винты крепления кронштейна аккумулятора, затем подденьте кронштейн инструментом и извлеките аккумулятор.
4. Демонтаж должен выполняться производителем, авторизованным сервисным центром или квалифицированными специалистами.

## ВНИМАНИЕ!

- Перед извлечением аккумулятора отключите прибор от источника питания и максимально израсходуйте заряд аккумулятора.
- Ненужные аккумуляторы необходимо утилизировать в приспособленном для этого месте.
- Запрещается оставлять устройство при высокой температуре во избежание взрывов.
- При нарушении правил эксплуатации из аккумулятора может вылиться жидкость. В случае контакта с такой жидкостью промойте пораженный участок водой и обратитесь за медицинской помощью.

## Гарантийные обязательства

1. Компания Dreame отвечает перед потребителем за любое несоответствие в отношении материалов и изготовления, которое невозможно обнаружить при совершении покупки.
2. Гарантийный срок: обратитесь за дополнительной информацией в отдел обслуживания клиентов. Если на территории, где находится потребитель, действуют иные правила, то они имеют преимущественную силу.
3. Гарантийные обязательства не распространяются на следующие случаи:
  - a) проблемы, возникшие вследствие небрежности, а также из-за несоблюдения указаний, предоставленных компанией Dreame, при эксплуатации и установке данного изделия.
  - b) Вскрытие данного изделия и/или внесение в него изменений организациями или лицами, не получившими на это специальное разрешение компании Dreame.
  - c) Повреждения, возникшие по случайным причинам и (или) вследствие халатности со стороны потребителя, особенно в отношении внешних деталей.
  - d) Детали, подверженные износу, но не имеющие производственных дефектов.
  - e) Отсутствие документа (квитанции, счета-фактуры или иного документа), подтверждающего дату покупки устройства.
  - f) Модель и (или) номер изделия в документе о покупке не соответствуют модели и (или) номеру, указанным на изделии.
4. Дополнительная информация о гарантийных обязательствах приведена на официальном веб-сайте компании: <https://global.dreameotech.com>



Информация об утилизации и переработке отходов электрического и электронного оборудования (WEEE)

Все устройства с символом отдельного сбора отработанного электрического и электронного оборудования (Директива WEEE 2012/19/EU) следует утилизировать отдельно от несортируемых бытовых отходов. С целью охраны здоровья и защиты окружающей среды такое оборудование необходимо сдавать на переработку в специальные пункты приема электрического и электронного оборудования, определенные правительством или местными органами власти. Правильная утилизация и переработка помогут предотвратить возможные негативные последствия для окружающей среды и здоровья человека. Для получения информации о местонахождении и порядке приема устройств в пунктах приема обратитесь в компанию, занимающуюся установкой оборудования, или в местные органы власти.